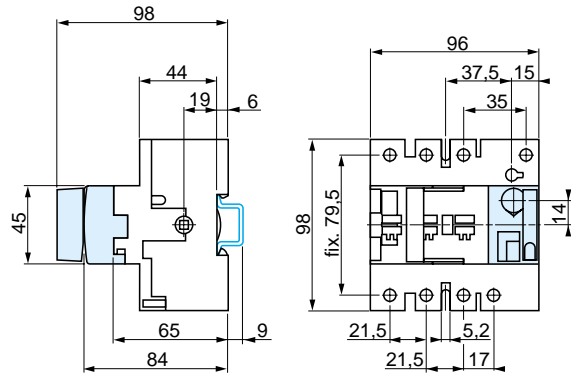


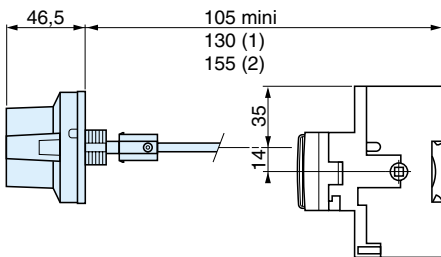
Switch-disconnector-fuses GS1-DD (32 A)

Frontal internal control



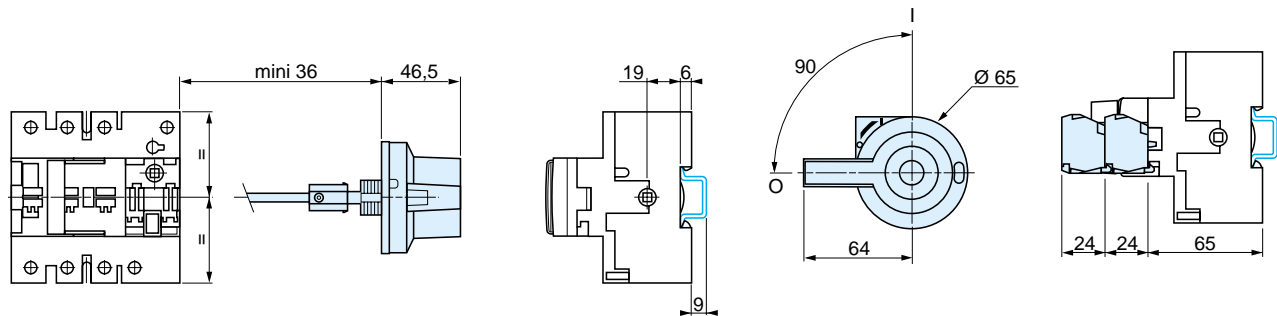
Switch-disconnector-fuses GS1-DD (32 A)

Frontal external control



- (1) With 1 or 2 GS1-AM1●●
- (2) With 3 or 4 GS1-AM1●●

External RH side-mounted operator



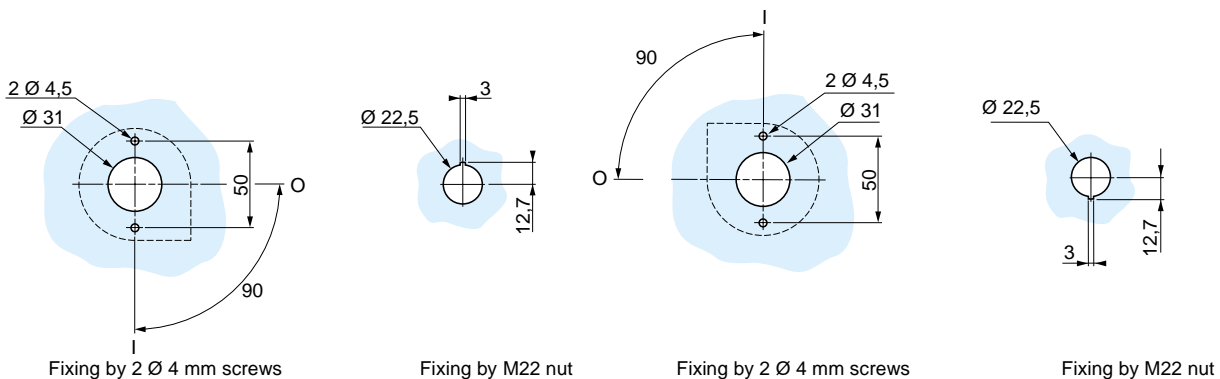
**Accessories
GS1-AM●11**

GS1-AM1●●

Door cut-out

For external front-mounted and LH side-mounted operator

For external RH side-mounted operator



Fixing by 2 Ø 4 mm screws

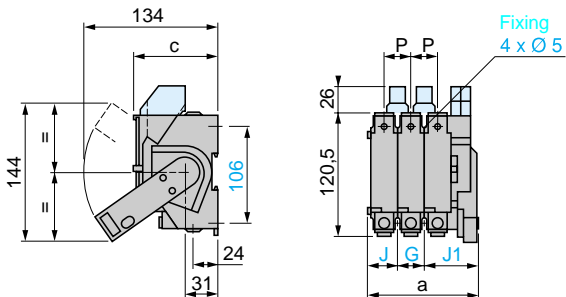
Fixing by M22 nut

Fixing by 2 Ø 4 mm screws

Fixing by M22 nut

Switch-disconnector-fuses GS1-F (50 A), G and GB (63 A)

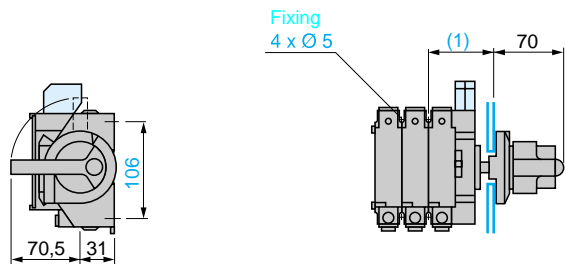
Lateral internal control



		a	c	G	J	J1	P
GS1-F	3P	114	87	27	29	58	27
	4P	141	87	54	29	58	27
GS1-G	3P	129	116,5	32	34	63	32
	4P	161	116,5	64	34	63	32
GS1-GB	3P	129	92,5	32	34	63	32
	4P	161	92,5	64	34	63	32

Switch-disconnector-fuses GS1-F (50 A), G and GB (63 A)

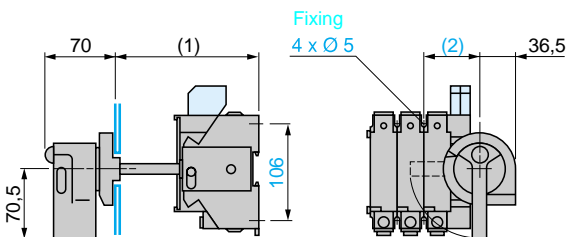
Lateral external control



(1) GS1-F : min 60, max 68. GS1-G and GB : min 65, max 73.
Without axis extension..

Switch-disconnector-fuses GS1-F (50 A), G and GB (63 A)

Frontal external control

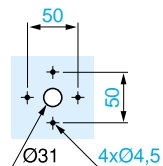


(1) GS1-F : min 94, max 165 ; GS1-G : min 124, max 165
GS1-GB : min 100, max 165

(2) GS1-F : 57,5 ; GS1-G and GB : 62,5

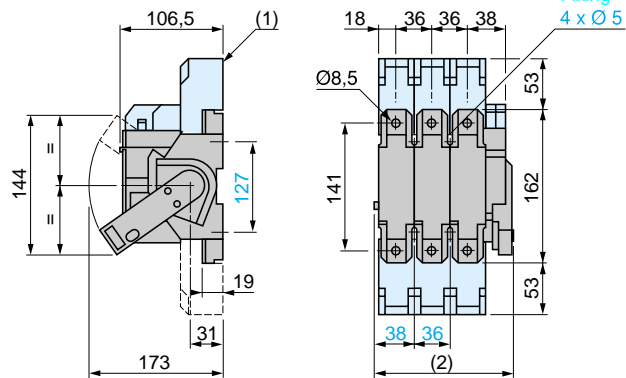
Switch-disconnector-fuses GS1

Lateral and frontal external control
Drill holes on the door



Switch-disconnector-fuses GS1-J or JB (100 A), K (125 A)

Lateral internal control

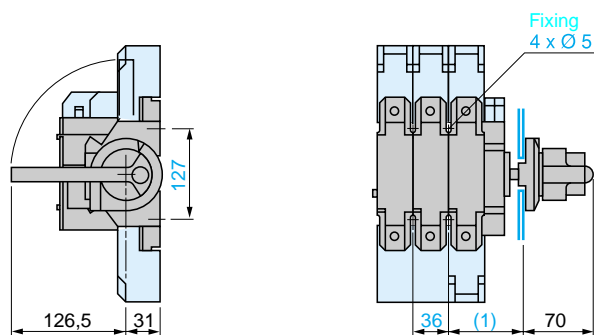


(1) Terminal cover

(2) 3P : 148, 4P : 184

Switch-disconnector-fuses GS1-J or JB (100 A), K (125 A)

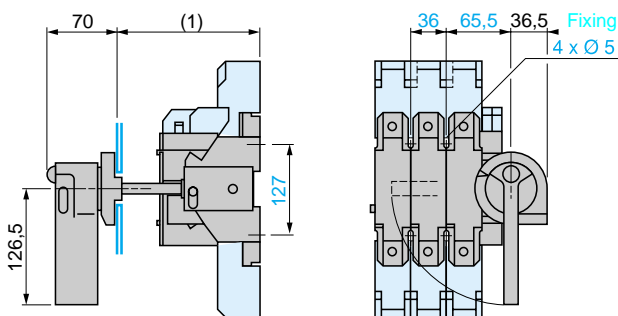
Lateral external control



(1) Min 69, max 77, without axis extension.

Switch-disconnector-fuses GS1-J or JB (100 A), K (125 A)

Frontal external control



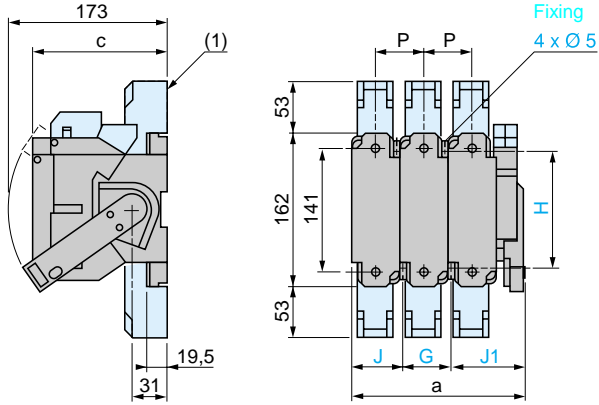
(1) Min 114, max 165

Protection components

Switch-disconnector-fuses, 32 to 1250 A

GS1-KK (125 A), L, LL, LB and LLB (160 A)

Lateral internal control

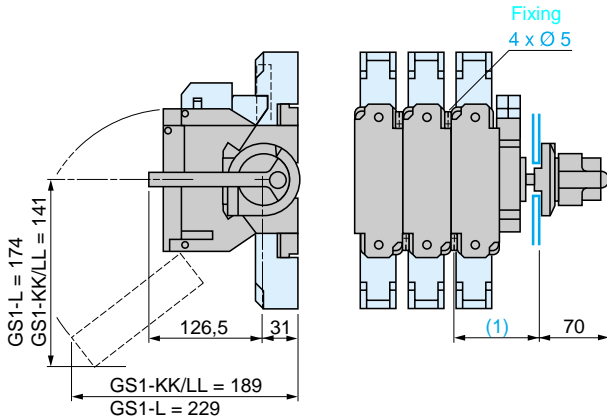


		a	c	G	H	J	J1	P
GS1-L	3P	190	136,5	50	140	50	90	50
	4P	240	136,5	100	140	50	90	50
GS1-KK, LL	3P	148	126,5	36	127	38	74	36
	4P	184	126,5	72	127	38	112	36
GS1-LB, LLB	3P	190	123	50	140	50	90	50
	4P	240	123	100	140	50	90	50

(1) Terminal cover

GS1-KK (125 A), L, LL, LB and LLB (160 A)

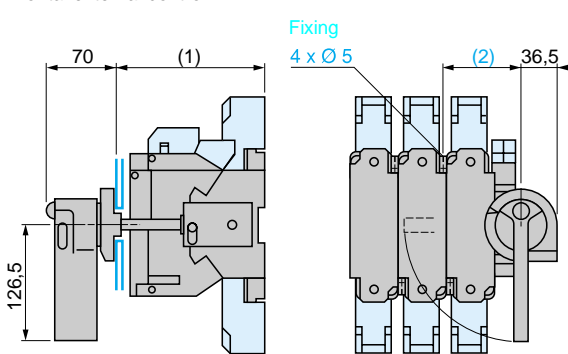
Lateral external control



(1) GS1-KK or LL : min 69, max 77. GS1-L, LB, LLB, MB : min 83, max 91. Without axis extension.

GS1-KK (125 A), L, LL, LB and LLB (160 A)

Frontal external control



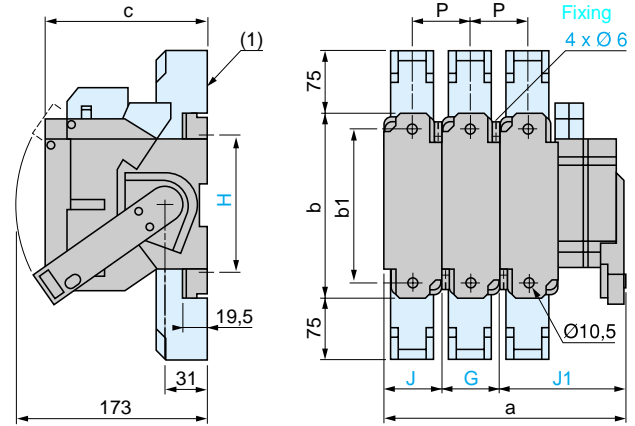
(1) GS1-KK, LL : min 134, max 165. GS1-L : min 144, max 165

GS1-LB, LLB : min 130, max 165

(2) GS1-KK, L and LL : 66,5. GS1-LB, LLB : 80,5

GS1-MMB (200 A), N or NB (250 A), PPB (315 A) and QQ (400 A)

Lateral internal control

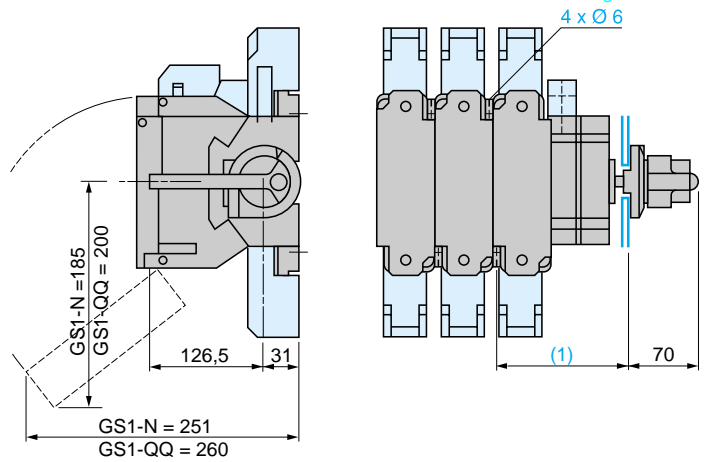


		a	b	b1	c	G	H	J	J1	P
GS1-MMB, N, NB	3P	250	195	166	146	60	162	60	130	60
	4P	310	195	166	146	120	162	60	130	60
GS1-QQ, PPB	3P	271	205	174	149	60	172	66	139	66
	4P	337	205	174	149	132	172	66	139	66

(1) Terminal cover

GS1-MMB (200 A), N or NB (250 A), PPB (315 A) and QQ (400 A)

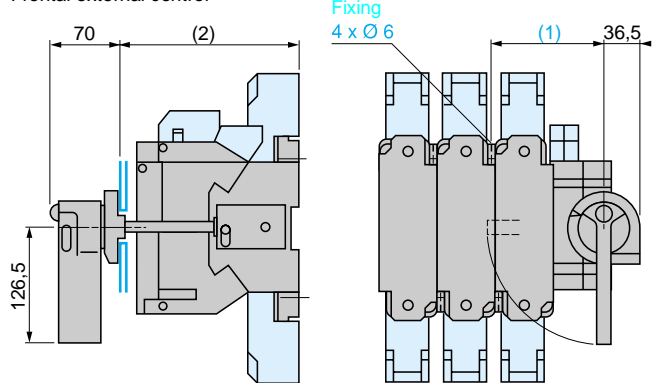
Lateral external control



(1) Min 124, max 132. Without axis extension.

GS1-MMB (200 A), N or NB (250 A), PPB (315 A) and QQ (400 A)

Frontal external control



(1) GS1-MMB, N (3P) : 90,5 GS1-MMB, N (4P) : 114,5 GS1-PPB, QQ : 121

(2) Min 154, max 225

General :
page 23021/2

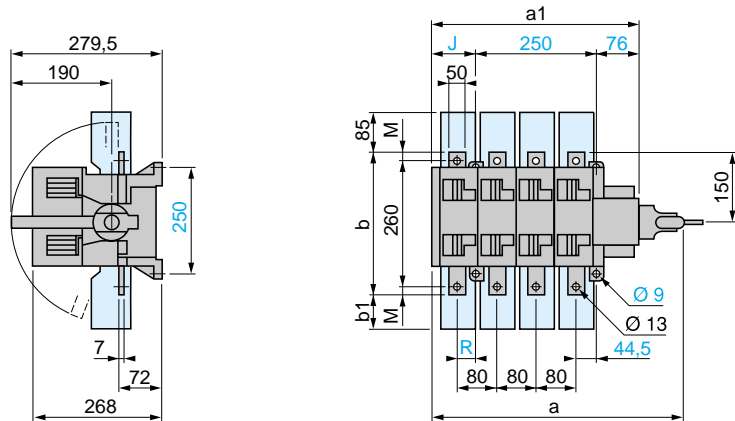
Characteristics :
pages 23023/2 to 23023/

References :
5

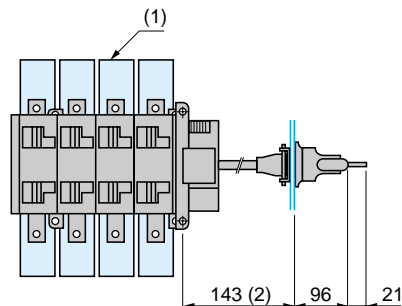
pages 23024/2 to 23024/
11

Schemes :
page 23025/7

Switch-disconnector-fuses GS1-S (630 A) and GS1-TB (800 A)
Lateral internal control



Lateral external control



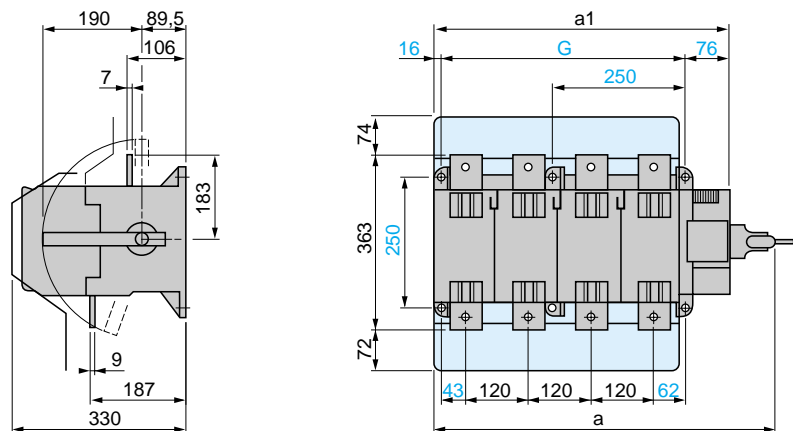
		a	a1	b	b1	J	M	R
GS1-S	3P	421,5	345,5	300	85	19,5	20	45,5
	4P	501,5	425,5	300	85	99,5	20	34,5
GS1-TB	3P	421,5	345,5	320	65	19,5	30	45,5
	4P	501,5	425,5	320	65	99,5	30	34,5

(1) Terminal cover

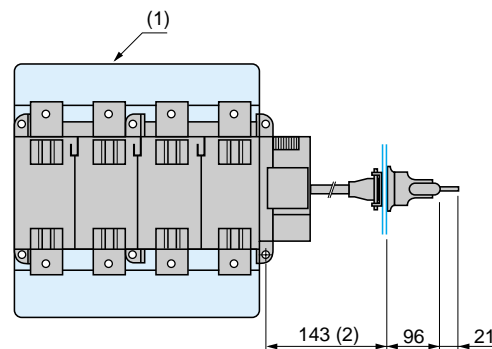
(2) Without axis extension. Minimum length with axis extension f + 27

Switch-disconnector-fuses GS1-V (1250 A)

Lateral internal control



Lateral external control



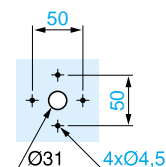
		a	a1	G
GS1-V	3P	522	437	345
	4P	641	557	465

(1) Screen for protecting the plates

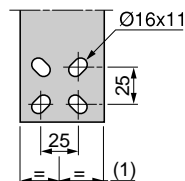
(2) Without axis extension. Minimum length with axis extension : f + 27

Switch-disconnector-fuses GS1-S (630 A), and GS1-V (1250 A)

Lateral internal control
Drill holes on the door



Switch-disconnector-fuses GS1-V (1250 A)
Connector plate

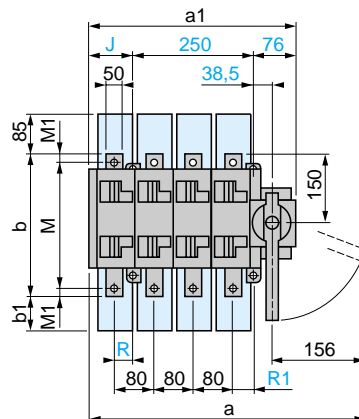
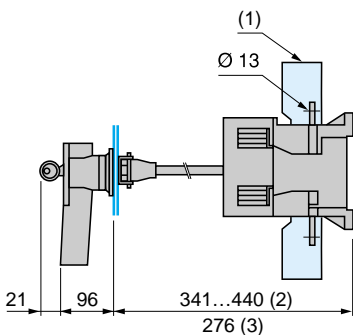
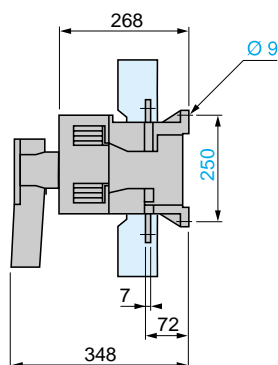


(1) upstream plate : 80, downstream plate : 65

Switch-disconnector-fuses GS1-S (630 A) and GS1-TB (800 A)

Frontal internal control

Frontal external control



		a	a1	b	b1	J	M	M1	R	R1
GS1-S	3P	470	345,5	300	85	19,5	260	20	45,5	44,5
	4P	550	425,5	300	85	99,5	260	20	34,5	44,5
GS1-TB	3P	470	345,5	320	65	19,5	267	26,5	-	-
	4P	550	425,5	320	65	99,5	267	26,5	-	-

(1) Terminal cover

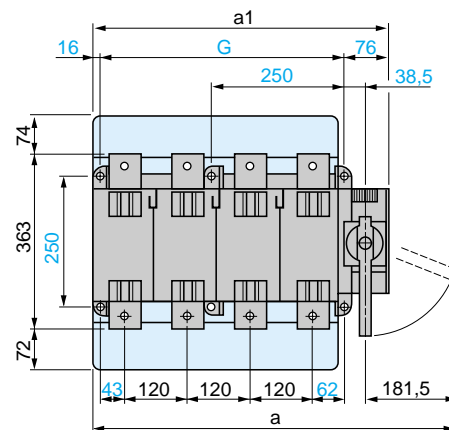
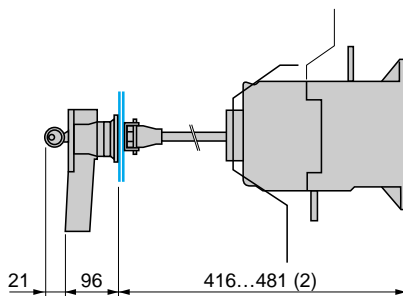
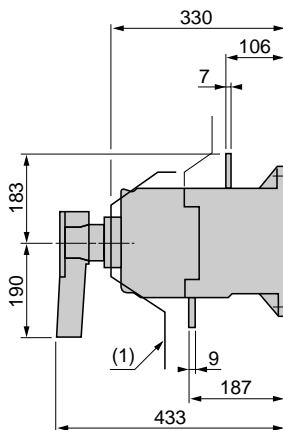
(2) Without axis extension. Minimum length with axis extension : f + 27.

(3) f min : shortened axis.

Switch-disconnector-fuses GS1-V (1250 A)

Frontal internal control

Frontal external control



(1) Protective front screen (original)

(2) Without axis extension. Minimum length with axis extension : f + 27

		a	a1	G
GS1-V	3P	561	437	345
	4P	681	557	465

Note : For external control, Switch-disconnector-fuses **GS1-S (630 A)** and **GS1-V (1250 A)**, see page 23025/4 for the drill holes on the door and the connector plate.