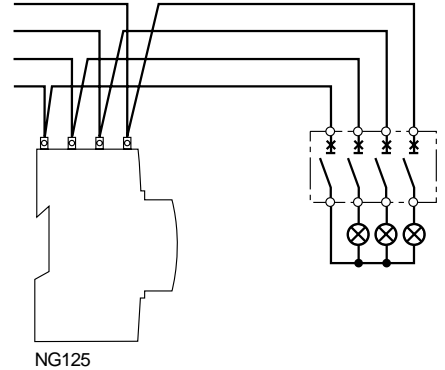


# voltage tap, OF and SD contacts, MX + OF, MN, MN[S], MNx and MXV releases for NG125

## upstream voltage taps

They allow supply of auxiliary circuits to perform the following functions:

- indications and measurements,
- emergency stopping,
- remote transfer of information.

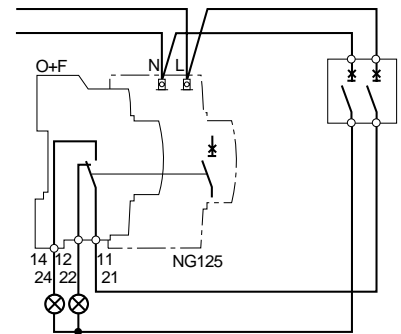


## OF or SD indication

### OF auxiliary contact:

- indication by dry contact of the "open or closed" status.
- this indication can be transferred to the front panel of the cubicle or enclosure or centralised on a control desk.

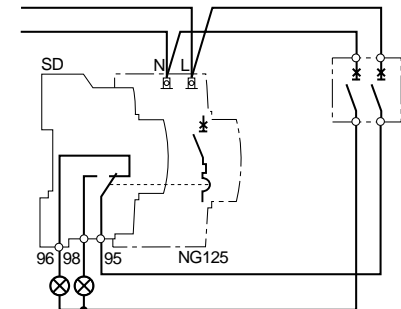
combined device	closed	■		
	open		■	
	tripped on a fault			■
OF contact	11/12-21/22	open	closed	closed
	11/14-21/24	closed	open	open



### SD fault indicating switch

- indication of a fault on a circuit-breaker: cold room, lift, ventilation, etc.

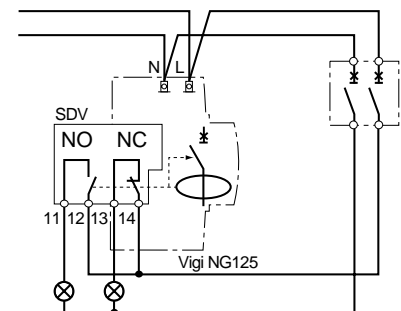
combined device	closed	■		
	open		■	
	tripped on a fault			■
SD contact	95/96	closed	closed	open
	95/98	open	open	closed



### Vigi SDV fault indicating switch

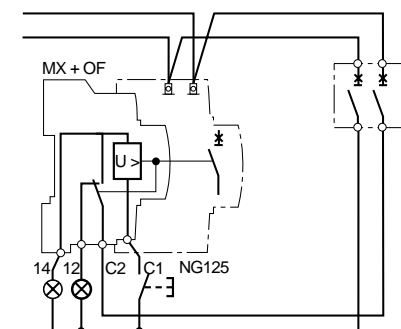
- earth fault indication (including tripping by MXV), by NC or NO dry contact.

combined device	closed	■		
	open		■	
	tripped on a fault			■
SDV contact	11/12	open	open	closed
	13/14	closed	closed	open



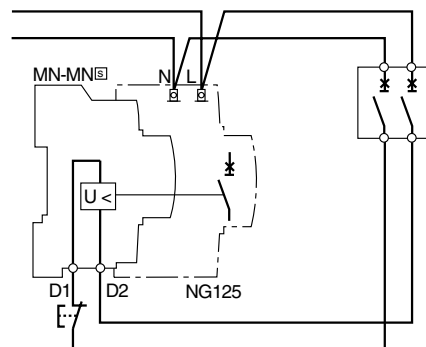
## emergency breaking with MX + OF

- remote opening, by tripping of the combined device, of electrical lighting circuits, etc
- terminals 12 and 14 provide indication linked to the OF position of the combined device, at a voltage identical to that of the coil
- indication on the front panel of the tripped function by means of a red mechanical indicator.



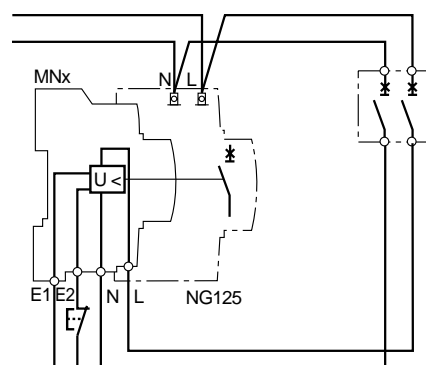
## MN or MN[S] undervoltage release

- opening of electrical circuits by tripping of the combined device:
  - either by emergency stop ("mushroom headed" pushbutton)
  - or by mains power failure
- the impossibility of an uncontrolled restart is particularly recommended in two cases, thus guaranteeing total safety:
  - when there is a risk for the operator of untimely restarting of a machine: circular saw, rotating machine, etc.
  - when it is necessary to control restart of an installation following a mains power failure.
- indication on the front panel of the tripped function by means of a red mechanical indicator
- the MN coil is accepted as the emergency stop device by the installation standard, without however providing indication of the OF position of the combined device.



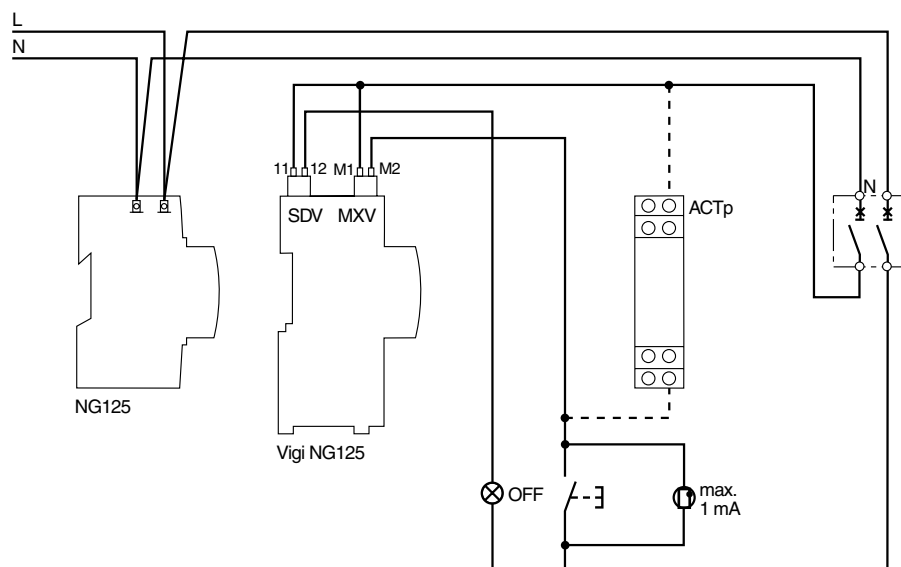
## MNx emergency stop shunt release

- remote opening of the circuit, by tripping of the associated device on a voluntary order:
  - shunt release emergency stop pushbutton ("failsafe")
  - completely unaffected by network fluctuations.



## emergency breaking with MXV and SDV

- remote tripping by MXV with information feedback by SDV
  - the control switch (lit up or not) trips the circuit-breaker via the Vigi equipped with an MXV
  - an indication, by means of the SDV contact, NO version, lights up an indicator when the Vigi module trips on a feeder or by MXV.



## additional information

[NG125 auxiliaries: page 90250/2](#)