

AS-i cabling system

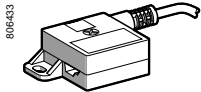
Installation system
Connection accessories

Accessories for connection to AS-i flat cable

Tap-offs

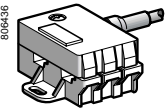
Connection to flat cables by IDC (Insulation Displacement Connector). $U_e \leq 40$ V, $I_e \leq 2$ A.
Ambient air temperature: - 25 °C...+ 70 °C (operation), - 40...+ 85 °C (storage).

Description	Connection to the AS-i sensor or actuator	Cable length	Fixing	Unit reference	Weight kg
Tap-offs for connection to a flat cable for AS-i (yellow) Degree of protection IP 67	Flying lead (2 x 0.34 mm ²) with 5-contact female straight M12 end connector	0.6 m	Screw	XZ-CG01205D	0.090
	Flying lead (2 x 0.34 mm ²) with 5-contact female elbowed M12 end connector	1 m	Screw	XZ-CG0121D	0.130
	Cable with bared ends for terminal block	0.6 m	Screw	XZ-CG01205C	0.090
	Cable 2 x 0.34 mm ²	1 m	Screw	XZ-CG0121C	0.130
	Brown wire: AS-i (+) Blue wire: AS-i (-)	2 m	Screw	XZ-CG0122	0.215



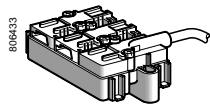
XZ-CG012●

Tap-offs for connection to two flat cables: - 1 for AS-i (yellow) - 1 for the separate supply (black) Degree of protection IP 54	Flying lead (4 x 0.34 mm ²) with 5-contact female straight M12 end connector	0.3 m	Screw	XZ-CG01403D	0.140
	Flying lead (4 x 0.34 mm ²) with 5-contact female elbowed M12 end connector	2 m	Screw	XZ-CG0142D	0.180
	Cable with bared ends for terminal block	0.3 m	Screw	XZ-CG01403C	0.140
	Cable 4 x 0.34 mm ²	2 m	Screw	XZ-CG0142C	0.180
	Brown wire: AS-i (+) Blue wire: AS-i (-) White wire: 0 V Black wire: + 24 V	2 m	Screw	XZ-CG0142	0.265



XZ-CG014●

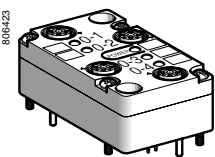
Tap-offs for connection to two flat cables: - 1 for AS-i (yellow) - 1 for the separate supply (black) Degree of protection IP 67	Flying lead (4 x 0.34 mm ²) with 5-contact female straight M12 end connector	0.3 m	Screw	ASI-DCPM12D03	0.150
	Cable with bared ends for terminal block	2 m	Screw	ASI-DCPM12D20	0.200
	Cable 4 x 0.34 mm ²	2 m	-	ASI-DCPFIL20	0.200
	Brown wire: AS-i (+) Blue wire: AS-i (-) White wire: 0 V Black wire: + 24 V	5 m	-	ASI-DCPFIL50	0.350



ASI-DCP●

Sealing ring for tap-off ASI-DCP● (sold in lots of 10) **ASI-DCPACC1** 0.050

4-way tap-off (1) for connection to two flat cables: - 1 for AS-i (yellow) - 1 for the separate supply (black) Degree of protection IP 67	By M12 connector	-	-	XZ-SDP40D1	0.100
-----------------------------------------------------------------------------------------------------------------------------------------------------------	------------------	---	---	-------------------	-------



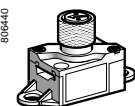
XZ-SDP40D1

T connectors

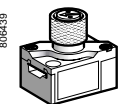
Connection to flat cable by IDC (Insulation Displacement Connector). $U_e \leq 40$ V, $I_e \leq 2$ A.
Degree of protection IP 67.

Ambient air temperature: - 25 °C...+ 70 °C (operation), - 40...+ 85 °C (storage).

Description	Connection to AS-i sensor or actuator	Fixing	Reference	Weight kg
T connectors for connection to a flat cable for AS-i (Yellow)	By 5-contact female M12 connector	Screw	XZ-CG0120	0.015
		Without	XZ-CG0220	0.015



XZ-CG0120

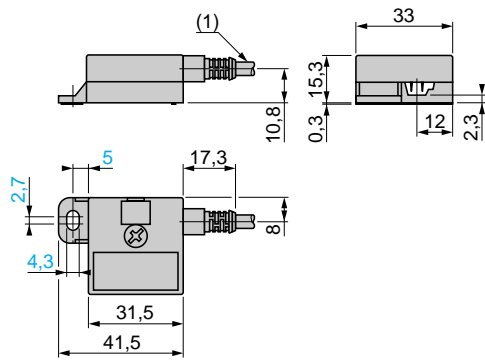


XZ-CG0220

(1) For connection bases for 4-way tap-offs, see page 34007/5.

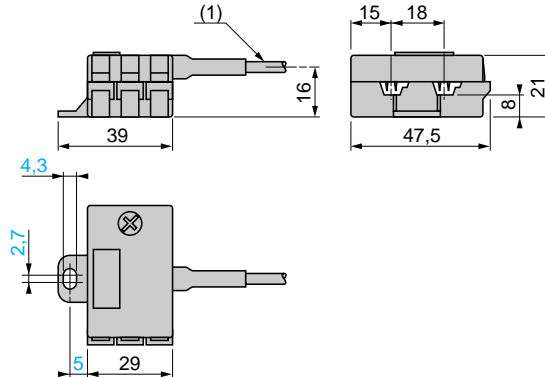
Dimensions

Tap-offs XZ-CG012●●



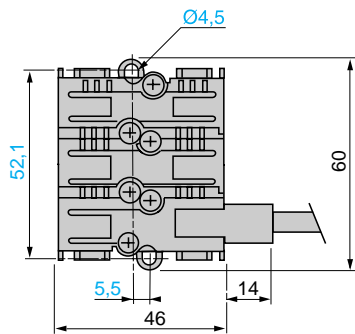
(1) Cable length 0.6, 1 or 2 m.
With stripped ends (brown: AS-i ⊕, blue: AS-i ⊖ or fitted with M12 connector

XZ-CG014●●

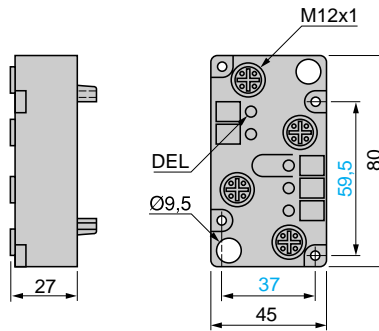


(1) Cable length 0.3 or 2 m.
With stripped ends (brown: AS-i ⊕, blue: AS-i ⊖, white: 0 V, black: + 24 V) or fitted with M12 connector

Tap-offs for connection to two flat cables ASI-DCP●

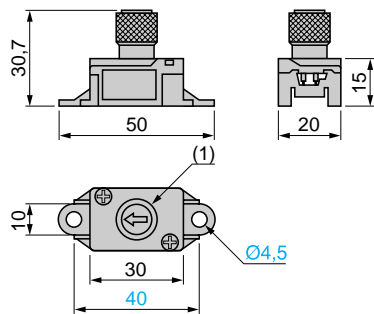


4-way tap-offs (1) for connection to two flat cables XZ-SDP40D1



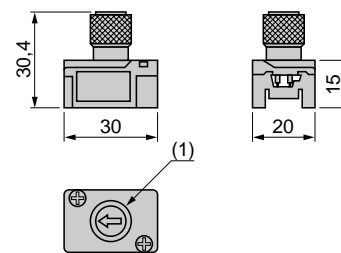
(1) Connection bases for 4-way tap-offs, see page 34007/5.

T connectors XZ-CG0120



(1) Connectors adjustable to 2 positions, at 90°.

XZ-CG0220



(1) Connectors adjustable to 2 positions, at 90°.

Connections

M12 connectors on T connectors XZ-CG0●20, and tap-offs XZ-CG012●



M12 connectors on tap-offs XZ-CG014●●, ASI-DCPSIL●0 and XZ-SDP40D1

